

OPTION

REMOTE CONTROLLER

RT-62

SERVICE MANUAL

KENWOOD CORPORATION

RT-62

Y87-1740-00

REF. NO	PARTS NO	NAME & DESCRIPTION
	A01-0858-03	CASE, BOTTOM
	A01-0888-03	CASE, FRONT
	A09-0507-13	COVER; REMOVABLE
	B40-2737-24	SERIAL NO. PLATE
	B42-1865-04	LABEL
	B42-1866-04	CAUTION LABEL; JAPANESE
	B42-1867-04	CAUTION LABEL; ENGLISH
	B42-1933-04	LABEL, MODEL NO., FOR CARTON BOX
	B50-2957-10	INSTRUCTION MANUAL; JAPANESE
	B50-2958-10	INSTRUCTION MANUAL; ENGLISH
	E30-1848-05	CABLE WITH CONNECTOR
	E31-2227-05	WIRE ASS'Y; 9P
	E31-2228-05	WIRE ASS'Y; 8P
	E31-2230-05	WIRE ASS'Y; 1P
	E31-2234-05	WIRE ASS'Y; 2P
	F15-0719-04	BLIND PLATE
	F19-0706-05	HOLL CAP
	H01-2952-12	CARTON BOX
	H25-0078-04	VINYL BAG
	J02-0506-05	RUBBER FOOT
	J21-2913-04	BRACKET; FOR AC CORD BUSHING
	J31-0502-04	COLLAR; FOR P. C. B
	J32-0122-04	BOSS
	J42-0085-05	BUSHING; FOR 3-CORE AC CORD
	J42-0404-05	BUSHING; FOR P. C. B
	J59-0001-05	GROMMET
	J59-0002-05	PLUNGER
	K29-0803-04	KNOB
	N10-2030-41	NUT, HEX M3
	N30-3006-41	SCREW, PAN HD M3X6
	N34-3006-41	SCREW, TRUSS HD M3X6
	N89-3006-41	SCREW, BINDING TAPTITE 3X6
	X77-1200-00	CONTROL UNIT

RT-62 CONTROL UNIT

X77-1200-00

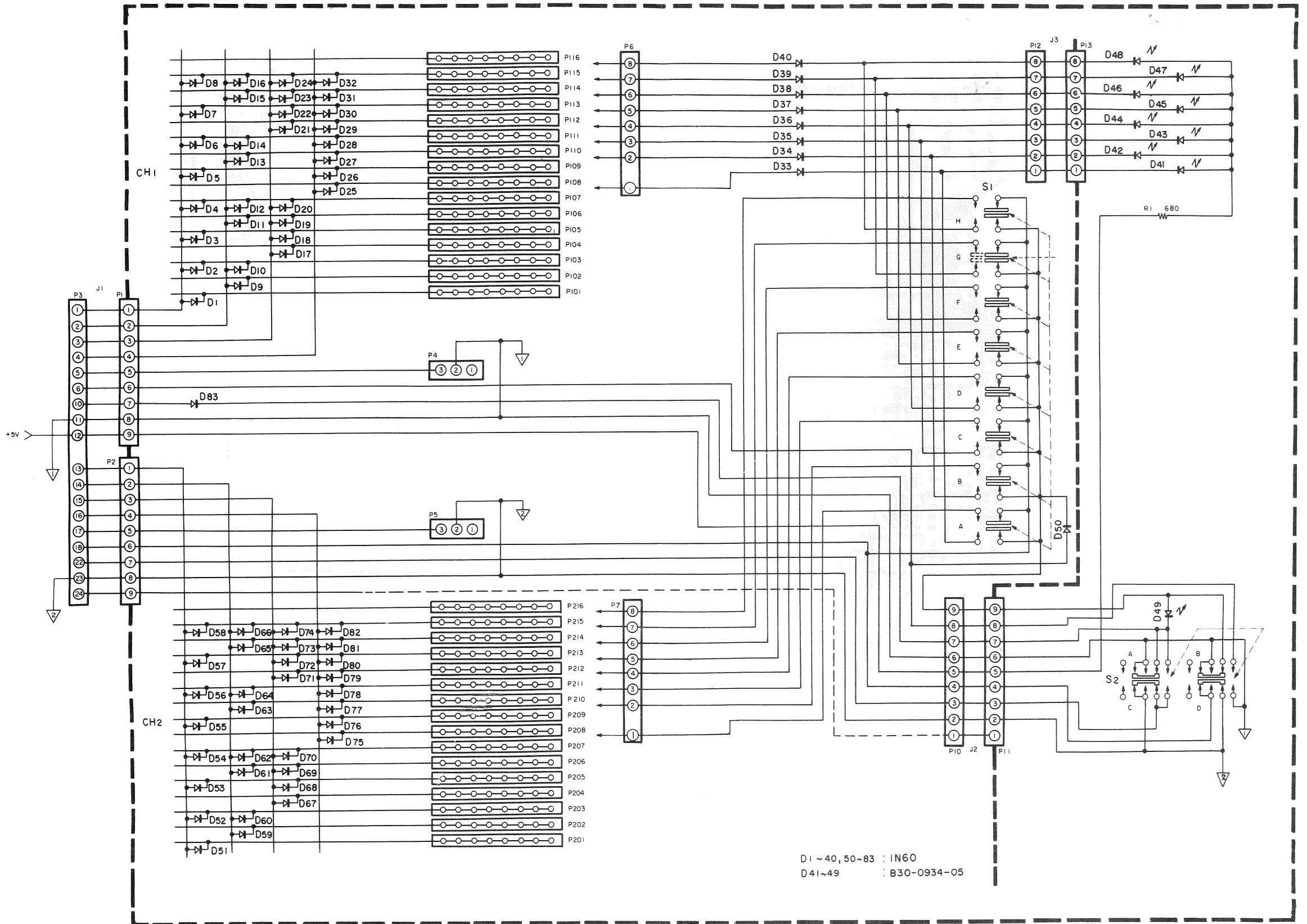
REF. NO	PARTS NO	NAME & DESCRIPTION
	J25-2955-12	PCB (UNMOUNTED)
	R92-0150-05	JUMPING RES. ZERO OHM (10MM)
D1	1N60	DIODE
D2	1N60	DIODE
D3	1N60	DIODE
D4	1N60	DIODE
D5	1N60	DIODE
D6	1N60	DIODE
D7	1N60	DIODE
D8	1N60	DIODE
D9	1N60	DIODE
D10	1N60	DIODE
D11	1N60	DIODE
D12	1N60	DIODE
D13	1N60	DIODE
D14	1N60	DIODE
D15	1N60	DIODE
D16	1N60	DIODE
D17	1N60	DIODE
D18	1N60	DIODE
D19	1N60	DIODE
D20	1N60	DIODE
D21	1N60	DIODE
D22	1N60	DIODE
D23	1N60	DIODE
D24	1N60	DIODE
D25	1N60	DIODE
D26	1N60	DIODE
D27	1N60	DIODE
D28	1N60	DIODE
D29	1N60	DIODE
D30	1N60	DIODE
D31	1N60	DIODE
D32	1N60	DIODE
D33	1N60	DIODE
D34	1N60	DIODE
D35	1N60	DIODE
D36	1N60	DIODE
D37	1N60	DIODE

PARTS LIST

REF. NO	PARTS NO	NAME & DESCRIPTION
D38	1N60	DIODE
D39	1N60	DIODE
D40	1N60	DIODE
D41	B30-0934-05	LAMP
D42	B30-0934-05	LAMP
D43	B30-0934-05	LAMP
D44	B30-0934-05	LAMP
D45	B30-0934-05	LAMP
D46	B30-0934-05	LAMP
D47	B30-0934-05	LAMP
D48	B30-0934-05	LAMP
D49	B30-0934-05	LAMP
D50	1N60	DIODE
D51	1N60	DIODE
D52	1N60	DIODE
D53	1N60	DIODE
D54	1N60	DIODE
D55	1N60	DIODE
D56	1N60	DIODE
D57	1N60	DIODE
D58	1N60	DIODE
D59	1N60	DIODE
D60	1N60	DIODE
D61	1N60	DIODE
D62	1N60	DIODE
D63	1N60	DIODE
D64	1N60	DIODE
D65	1N60	DIODE
D66	1N60	DIODE
D67	1N60	DIODE
D68	1N60	DIODE
D69	1N60	DIODE
D70	1N60	DIODE
D71	1N60	DIODE
D72	1N60	DIODE
D73	1N60	DIODE
D74	1N60	DIODE
D75	1N60	DIODE
D76	1N60	DIODE
D77	1N60	DIODE
D78	1N60	DIODE
D79	1N60	DIODE
D80	1N60	DIODE
D81	1N60	DIODE
D82	1N60	DIODE
D83	1N60	DIODE
P1	E40-0973-05	PIN CONNECTOR 9P
P2	E40-0973-05	PIN CONNECTOR 9P
P3	NO USE	
P4	E40-0311-05	PIN CONNECTOR 3P
P5	E40-0311-05	PIN CONNECTOR 3P
P6	E40-0864-05	PIN CONNECTOR 8P
P7	E40-0864-05	PIN CONNECTOR 8P
P10	E40-0973-05	PIN CONNECTOR 9P
P11	E40-0974-05	PIN CONNECTOR 9P
P12	E40-0873-05	PIN CONNECTOR 8P
P13	E40-0874-05	PIN CONNECTOR 8P
P101	E40-0811-05	PIN CONNECTOR 8P
P102	E40-0811-05	PIN CONNECTOR 8P
P103	E40-0811-05	PIN CONNECTOR 8P
P104	E40-0811-05	PIN CONNECTOR 8P
P105	E40-0811-05	PIN CONNECTOR 8P
P106	E40-0811-05	PIN CONNECTOR 8P
P107	E40-0811-05	PIN CONNECTOR 8P
P108	E40-0811-05	PIN CONNECTOR 8P
P109	E40-0811-05	PIN CONNECTOR 8P
P110	E40-0811-05	PIN CONNECTOR 8P
P111	E40-0811-05	PIN CONNECTOR 8P
P112	E40-0811-05	PIN CONNECTOR 8P
P113	E40-0811-05	PIN CONNECTOR 8P
P114	E40-0811-05	PIN CONNECTOR 8P
P115	E40-0811-05	PIN CONNECTOR 8P
P116	E40-0811-05	PIN CONNECTOR 8P
P201	E40-0811-05	PIN CONNECTOR 8P
P202	E40-0811-05	PIN CONNECTOR 8P
P203	E40-0811-05	PIN CONNECTOR 8P
P204	E40-0811-05	PIN CONNECTOR 8P
P205	E40-0811-05	PIN CONNECTOR 8P
P206	E40-0811-05	PIN CONNECTOR 8P
P207	E40-0811-05	PIN CONNECTOR 8P
P208	E40-0811-05	PIN CONNECTOR 8P

REF. NO	PARTS NO	NAME & DESCRIPTION
P209	E40-0811-05	PIN CONNECTOR 8P
P210	E40-0811-05	PIN CONNECTOR 8P
P211	E40-0811-05	PIN CONNECTOR 8P
P212	E40-0811-05	PIN CONNECTOR 8P
P213	E40-0811-05	PIN CONNECTOR 8P
P214	E40-0811-05	PIN CONNECTOR 8P
P215	E40-0811-05	PIN CONNECTOR 8P
P216	E40-0811-05	PIN CONNECTOR 8P
R1	RD14BB2E681J	RES. CARBON 680 5% 1/4W
S1	S42-8501-05	PUSH SWITCH
S2	S33-4502-05	LEVER SWITCH

RT-62 SCHEMATIC DIAGRAM



D1 ~ 40, 50-83 : 1N60
 D41-49 : B30-0934-05

RT-62 CONTROL UNIT

